



Textile Digital Printing Machine

High Speed • High Precision • Industrial Performance



Up to 75,000 m²/Day

Multitple Head Options

Pigment/Single Channel Support

Continuous Production System

Available Models:

- 16 Head 8000m²/Day
- 16 Head 10000m²/Day (New Version-Katana B)
- 24 Head 12000m²/Day
- 32 Head 19200m²/Day
- 48 Head 22000m²/Day
- 64 Head 25000m²/Day
- 96 Head 40000m²/Day
- 132 Head 75000m²/Day (Approximately)

Ishrat Tower, 3rd Floor, 6-Purana Paltan, Dhaka-1000, Bangladesh

Tel: +88 01324-734672, Email: info@hasantrade.com, Web: www.hasantrade.com



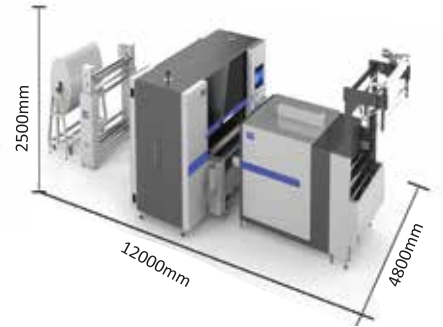
Established in 1993, HASAN TRADE is one of the largest indenter, importer and distributor in Bangladesh. Since started the journey of Hasan Trade business, we are dealing with various types of machineries & its raw materials for photographic, signage & textiles. In 2000, we got an exclusive distributorship for Durst Phototechnic in Italy, Color Fly - China, Prismalab - China and introduced CISS system in Bangladesh market. In 2008, we entered in signage industry with exclusive agent for FLORA digital printer in Bangladesh. In 2013, we marketed ALLWIN brand signage machine in Bangladesh and after that we introduced our own brand Y-Jet for signage market. In 2014, we introduced digital textile printing and automatic oval screen printing solutions for textile and garments industries respectively. In 2015, we introduced YUEMING laser machine. In 2017, we marketed UV machine NUCAI brand. In 2017, introduced FANGYUAN group for non-woven fabric making machine. In 2018, introduced FOURSTAR for digital T-Shirt printing machine. In 2019, marketed Cnding Y-jet Brand automatic oval screen print machine. In 2020, we became sole distributor of NKT in digital textile printing Industry.


Technical Parameters:

Model	F832		F826	
Max Print Width	3200mm		2600mm	
Number of Colorbar	8/10		8/10	
Number of Row	8 Rows		8 Rows	
Ink Color	C, M, Y, K, LC, LM, Orange, Blue, Grey, Red		C, M, Y, K, LC, LM, Orange, Blue, Grey, Red	
Ink Type	Reactive, Acid, Disperse, Pigment Inks		Reactive, Acid, Disperse, Pigment Inks	
Fabric	Cotton, Rayon, Lilen, Silk, Wool. Nylon, Polyester, Velvet, Towel, Flag (Woven, Knitted and Non-Woven)		Cotton, Rayon, Lilen, Silk, Wool. Nylon, Polyester, Velvet, Towel, Flag (Woven, Knitted and Non-Woven)	
Operating System	Windows 10, 64bit, CPU: Intel Core 11700 Processor, HD: 1T, 2GB Graphics, RAM: 32GB		Windows 10, 64bit, CPU: Intel Core 11700 Processor, HD: 1T, 2GB Graphics, RAM: 32GB	
RIP Software	Neo Stampa		Neo Stampa	
Equipment Standard Configuration	Moveable Press Unit, Blanket Cleaning / Drying Unit, Head Protection Mechanism, Linear Motor Scanning System, Auto Head Cleaning System		Moveable Press Unit, Blanket Cleaning / Drying Unit, Head Protection Mechanism, Linear Motor Scanning System, Auto Head Cleaning System	
Optional Configuration	Dryer (Electric/Stream) Single Layer & Three Layer, Automatic Deviation Rectifier Unit, A Frame Unwinder Unit, Swing type Winder Unit		Dryer (Electric/Stream) Single Layer & Three Layer, Automatic Deviation Rectifier Unit, A Frame Unwinder Unit, Swing type Winder Unit	
Working Conditations	Power: 380V ± 10%, Air Pressure>0.5MPa, Temperature: 22-26°C, Humidity: 55-65%		Power: 380V ± 10%, Air Pressure>0.5MPa, Temperature: 22-26°C, Humidity: 55-65%	
Installed Power	56kw (Digital Printer 28kw+Dryer 28kw)		54kw (Digital Printer 26kw+Dryer 28kw)	
Over all Dimension (L*W*T)	7100*4480*2100mm		5635*4480*2100mm	
Weight	6000 KG		5700 KG	
Quantity of Print Head	Kyocera Single Color Head: 64 Pcs	Kyocera Dual Color Head: 32Pcs	Kyocera Single Color Head: 64 Pcs	Kyocera Dual Color Head: 32 Pcs
Production Kyocera head			Production Kyocera head	
MODEL	PASS	PRODUCTION (m2/h)	PRODUCTION (m2/h)	
64 Head Kyocera EX 600	1PASS	2200	2000	
	2PASS	1200	1100	
	3PASS	860	750	
32 Head Kyocera KJ4B-0300	2PASS	1200	1100	
	3PASS	860	750	



25000M²/DAY



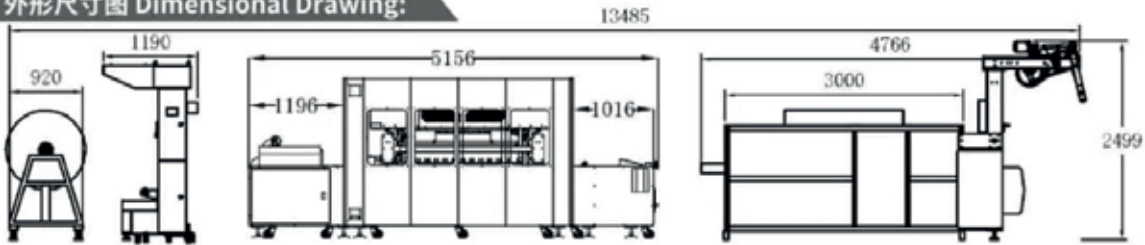
F818-64H

Technical Parameters:

Model		F818-64 Head
Max Print Width	1800mm or Customized	
Number of Colorbar	6/8	
Number of Row	8 Rows	
Ink Color	C, M, Y, K, LC, LM, Orange, Blue, Grey, Red	
Ink Type	Reactive, Acid, Disperse, Pigment Inks	
Fabric	Cotton, Rayon, Lilen, Silk, Wool, Nylon, Polyester, Velvet, Towel, Flag (Woven, Knitted and Non-Woven)	
Operating System	Windows 10, 64bit, CPU: Intel Core 11700 Processor, HD: 1T, 2GB Graphics, RAM: 32GB	
RIP Software	Neo Stampa	
Equipment Standard Configuration	Moveable Press Unit, Blanket Cleaning / Drying Unit , Head Protection Mechanism, Linear Motor Scanning System, Auto Head Cleaning System	
Optional Configuration	Dryer (Electric/Stream) Single Layer & Three Layer, Automatic Deviation Rectifier Unit, A Frame Unwinder Unit, Swing type Winder Unit	
Working Conditations	Power: 380V ± 10%, Air Pressure>0.5MPa, Temperature: 22-26°C, Humidity: 55-65%	
Installed Power	52kw (Digital Printer 24kw+Dryer 28kw)	
Over all Dimension (L*W*T)	4800*3430*2070mm	
Weight	5300 KG	
Quantity of Print Head	Kyocera Single Color Head: 64 Pcs	
Production Kyocera head		
MODEL	PASS	PRINTING PRODUCTION (m ² /h)
64 Head Kyocera EX 600	1PASS	1440
	2PASS	800
	3PASS	600



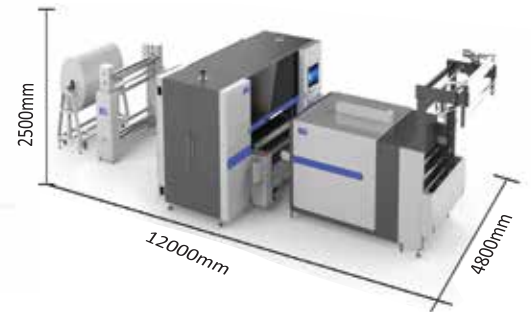
40000m²/DAY

外形尺寸图 Dimensional Drawing:

Technical Parameters:

Model	F1218	F1226	F1232(s)	F1232(s)
Max Printing Width	1800mm	2600mm	3200mm	3200mm
Number of Color	8 color / 10 color			
Operating System	Windows 10, 64-bit, CPU: Intel Core i7 11700 processor, HD: 1T, Graphics: 2GB, RAM: 32GB			
RIP Software	Neo Stampa			
Standard Configuration	Movable press unit, Blanket cleaning / Drying unit, Head protection mechanism Linear motor scanning system, Auto head cleaning system			
Installed Power	Printer 42.9KW,	Printer 55.29KW Dryer: 41KW	Printer 61.6KW	
Overall Dimension (L × W × H)	5120 × 4710 × 2100 mm	5500 × 5510 × 2100 mm	5370 × 6110 × 2200 mm	7237 × 6110 × 2200 mm
Weight	10000 kg	11000 kg	12000 kg	13000 kg

Printing Passes and Capacity (Kyocera Print Head)

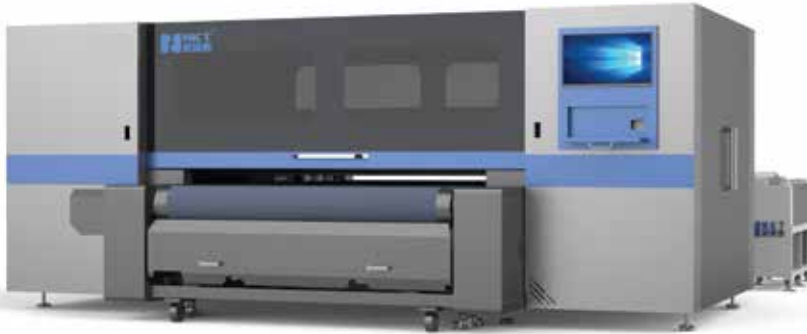
Model	Printing Passes	Printing Capacity (m2/h)		Model	Printing Passes	Single Roll	Double Roll	
		Single Roll	Double Roll					
F1218	96 heads Kyocera EX600	1	2100	F1232	96 heads kyocera EX600	1	2715	2715
		2	1200			2	1689	1689
		3	850			1	2776	2776
	48 heads Kyocera KJ4b-0300	2	1200		48 heads kyoceraKJ4B	2	1737	1737
		3	850					
F1226	96 heads Kyocera EX600	1	2396	2277				
		2	1522	1458				
	48 heads kyocera KJ4B-0300	1	2446	2324				
		2	1564	1497				


Technical Parameters:

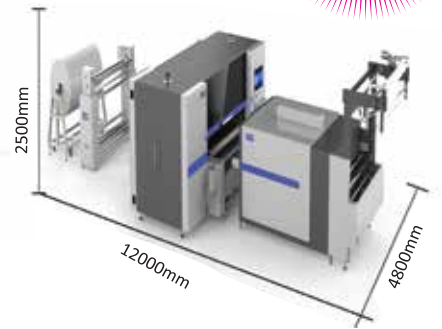
Model	F618	F818
Max Printing Width	1800mm	
Number of Color	6 - 8 Color	
Operating System	Windows 10, 64-bit, CPU: Intel Core i7 11700 processor, HD: 1T, Graphics: 2GB, RAM: 32GB	
RIP Software	Neo Stampa	
Standard Configuration	Movable press unit, Blanket cleaning / Drying unit, Head protection mechanism Linear motor scanning system, Auto head cleaning system	
Installed Power	39.6kw (Printer 14KW + Dryer 23.6kw)	
Overall Dimension (L × W × H)	4800 × 2680 × 2070	7237 × 6110 × 2200 mm
Weight	4000KG	5300KG

Printing Passes and Capacity (Kyocera Print Head)

	Model	Printing Passes		Printing Capacity (m2/h)	
		1	2	1	2
F618	48 heads Kyocera EX600	1	1080	1	1080
		2	600	2	600
	24 heads Kyocera KJ4B-0300	3	400	3	400
		2	600	2	600
F818	64 heads Kyocera EX600	3	400	1	1440
		1	1440	2	800
	32 heads kyocera KJ4B-0300	2	800	3	600
		3	600	2	800
		2	800	3	600
		3	600	2	800



19200M²/DAY-SC

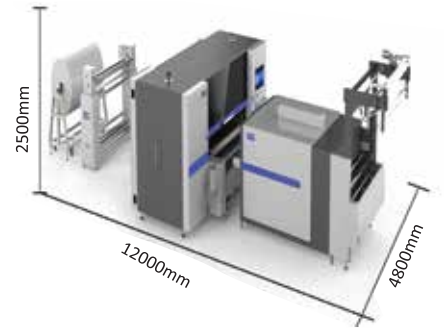


F818-32H

Technical Parameters:

Model	F818 -32 Head	
Max Print Width	1800mm or Customized	
Number of Colorbar	6/8	
Number of Row	8 Rows	
Ink Color	C, M, Y, K, LC, LM, Orange, Blue, Grey, Red	
Ink Type	Reactive, Acid, Disperse, Pigment Inks	
Fabric	Cotton, Rayon, Lilen, Silk, Wool, Nylon, Polyester, Velvet, Towel, Flag (Woven, Knitted and Non-Woven)	
Operating System	Windows 10, 64bit, CPU: Intel Core 11700 Processor, HD: 1T, 2GB Graphics, RAM: 32GB	
RIP Software	Neo Stampa	
Equipment Standard Configuration	Moveable Press Unit, Blanket Cleaning / Drying Unit , Head Protection Mechanism, Linear Motor Scanning System, Auto Head Cleaning System	
Optional Configuration	Dryer (Electric/Stream) Single Layer & Three Layer, Automatic Deviation Rectifier Unit, A Frame Unwinder Unit, Swing type Winder Unit	
Working Conditations	Power: 380V ± 10%, Air Pressure>0.5MPa, Temperature: 22-26°C, Humidity: 55-65%	
Installed Power	46.1kw (Digital Printer 14KW + Dryer 29.4kw)	
Over all Dimension (L*W*T)	4800*3430*2070mm	
Weight	5300 KG	
Quantity of Print Head	Kyocera Dual Color Head: 32	
Production Kyocera head		
MODEL	PASS	PRINTING PRODUCTION (m ² /h)
32 Head Kyocera KJ4B-0300	2PASS	800
	3PASS	600

12000² / DAY-DC



F618

Technical Parameters:

Model		F618
Max Print Width		1800mm or Customized
Number of Colorbar		6/8
Number of Row		6 Rows
Ink Color		C, M, Y, K, LC, LM, Orange, Blue, Grey, Red
Ink Type		Reactive, Acid, Disperse, Pigment Inks
Fabric		Cotton, Rayon, Lilen, Silk, Wool, Nylon, Polyester, Velvet, Towel, Flag (Woven, Knitted and Non-Woven)
Operating System		Windows 10, 64bit, CPU: Intel Core 11700 Processor, HD: 1T, 2GB Graphics, RAM: 32GB
RIP Software		Neo Stampa
Equipment Standard Configuration		Moveable Press Unit, Blanket Cleaning / Drying Unit , Head Protection Mechanism, Linear Motor Scanning System, Auto Head Cleaning System
Optional Configuration		Dryer (Electric/Stream) Single Layer & Three Layer, Automatic Deviation Rectifier Unit, A Frame Unwinder Unit, Swing type Winder Unit
Working Conditations		Power: 380V ± 10%, Air Pressure>0.5MPa, Temperature: 22-26°C, Humidity: 55-65%
Installed Power		39.6kw (Digital Printer 14KW + Dryer 23.6kw)
Over all Dimension (L*W*T)		4800*2680*2070mm
Weight		4000 KG
Quantity of Print Head		Kyocera Dual Color Head: 24Pcs /Kyocera Single Color: 48PCS
Production Kyocera head		
MODEL	PASS	PRINTING PRODUCTION (m ² /h)
48 Head Kyocera EX 600	1PASS	1080
	2PASS	600
	3PASS	400
24 Head Kyocera KJ4B-0300	2PASS	600
	3PASS	400



8000M²/DAY-DC

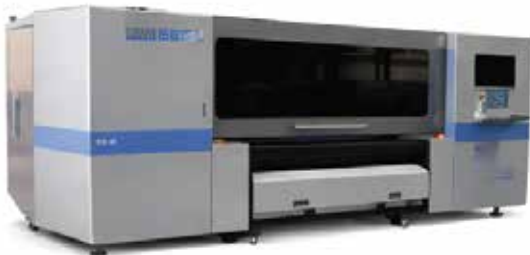
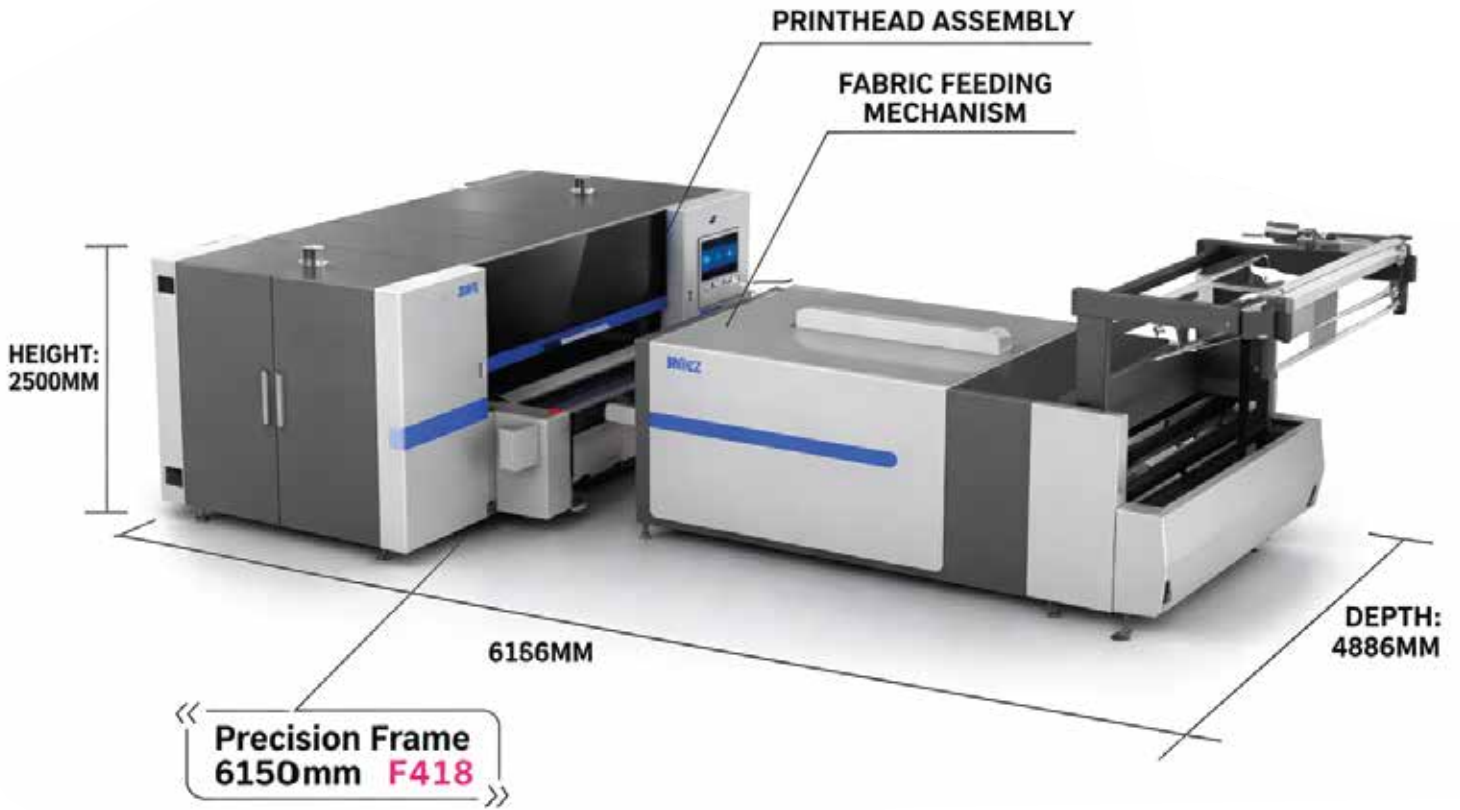
F418

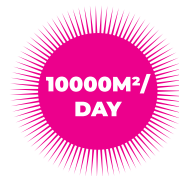
Technical Parameters:

Model	F418	
Max Print Width	1800mm or Customized	
Number of Colorbar	8/10	
Number of Row	4 Rows	
Ink Color	C, M, Y, K, LC, LM, Orange, Blue, Grey, Red	
Ink Type	Reactive, Acid, Disperse, Pigment Inks	
Fabric	Cotton, Rayon, Lilen, Silk, Wool. Nylon, Polyester, Velvet, Towel, Flag (Woven, Knitted and Non-Woven)	
Operating System	Windows 10, 64bit, CPU: Intel Core 11700 Processor, HD: 1T, 2GB Graphics, RAM: 32GB	
RIP Software	Neo Stampa	
Equipment Standard Configuration	Moveable Press Unit, Blanket Cleaning / Drying Unit , Head Protection Mechanism, Linear Motor Scanning System, Auto Head Cleaning System	
Optional Configuration	Dryer (Electric/Stream) Single Layer & Three Layer, Automatic Deviation Rectifier Unit, A Frame Unwinder Unit, Swing type Winder Unit	
Working Conditations	Power: 380V ± 10%, Air Pressure>0.5MPa, Temperature: 22-26°C, Humidity: 55-65%	
Installed Power	37.6kw (Printer 14KW + Dryer 23.6kw)	
Over all Dimension (L*W*T)	5400*2200*1900mm	
Weight	3860 KG	
Quantity of Print Head	Kyocera Dual Color Head: 16 /Kyocera Single Head 32PCS	
Production Kyocera head		
MODEL	PASS	PRINTING PRODUCTION (m ² /h)
32 Head Kyocera EX 600	1PASS	640
	2PASS	400
	3PASS	266
16 Head Kyocera KJ4B-0300	2PASS	400
	3PASS	266

10000M²/
DAY

Textile Digital Printer F Series (16 Head-Katana B)





Textile Digital Printer F Series (16 Head-Katana B)

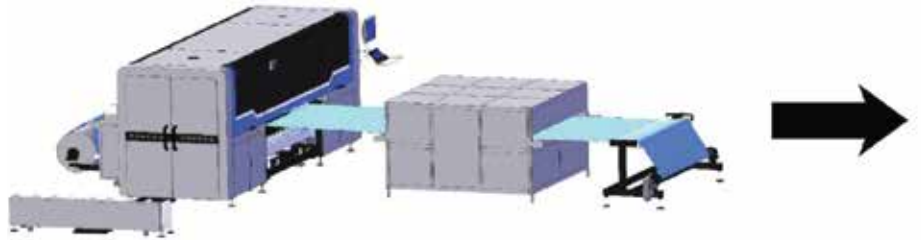
Technical Parameters:

Model	F418
Max Printing Width	1800mm
Number of Color	8 color / 10 color
Operating System	Windows 10, 64-bit, CPU: Intel Core i7 11700 processor, HD: 1T, Graphics: 2GB, RAM: 32GB
RIP Software	Neo Stampa
Standard Configuration	Movable press unit, Blanket cleaning / Drying unit, Head protection mechanism Linear motor scanning system, Auto head cleaning system
Installed Power	29kw (Printer 14KW + Dryer 15kw)
Overall Dimension (L × W × H)	5400 x 2200 x 1900mm
Weight	3860kg

Printing Passes and Capacity (Kyocera Print Head)

	Model	Printing Passes	Printing Capacity (m2/h)
F418	16 heads Kyocera EX600-RC	1	466

Solution #1
Printer + Three Layer Electric Dryer +
winder



Solution #2
Printer + Three Layer Electric Dryer +
Swing Type winder



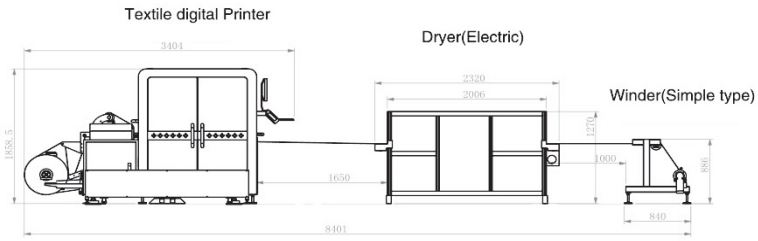
Solution #3
Jumbo Roll Unwinder + Automatic Deviation
Rectifier Unit + Printer + Three Layer
Electric Dryer + Swing Type winder



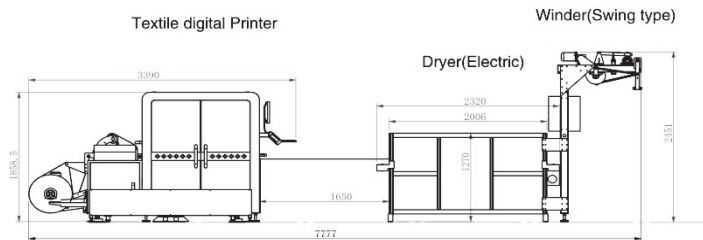
Solution #4
Jumbo Roll Unwinder + Automatic Deviation
Rectifier Unit + Printer + Gas Dryer +
Swing Type winder



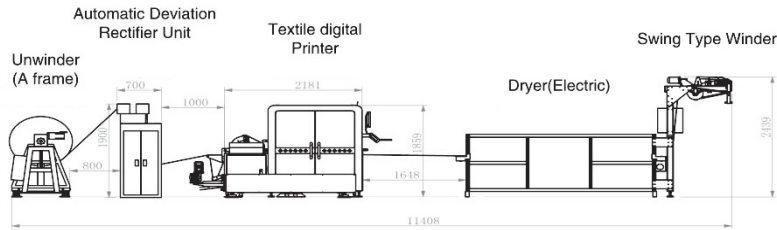
Printer + Dryer + winder



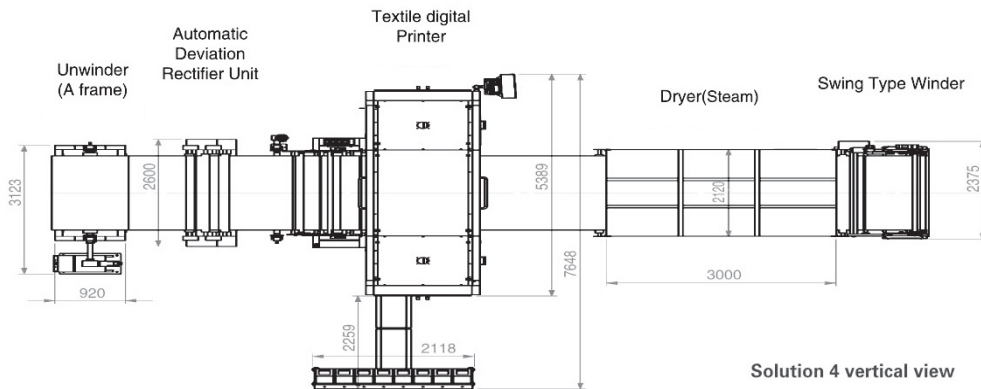
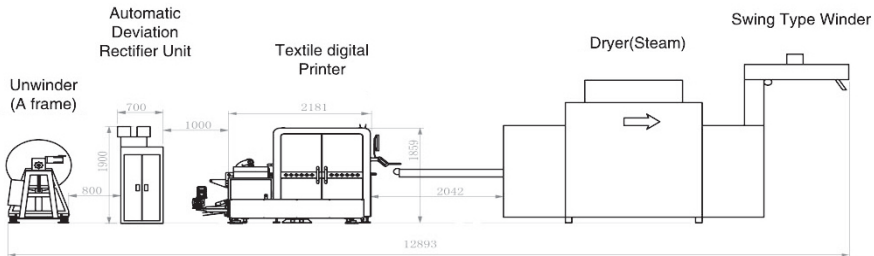
Printer + Dryer + Swing Type winder



Jumbo Roll Unwinder + Rectifier + Printer + Dryer + Sewing Type winder



Jumbo Roll Unwinder + Rectifier + Printer + Gas Dryer + Sewing Type winder



E-FASTER

2. Cloth Wool Removal/Centering Device



1. Unwinder(A Frame)



4. Print Module(4 Sets x 4 Channels/set)



3. Coating Unit(by Rotary)



5. Composite Technology Printing



Single Pass for Fabric (F4x4-1836)

Single Pass for Fabric
F4x4-1836



9. Main Control Cabinet



7. Dryer



8. Winder



6. Cloth Lifting Mechanism



Kyocera



Model	F4x4-1836
Print Head Model	Kyocera EX600
Max printing width	1836mm or customized
Max Quantity of Printing Channel	16 channels, 4 sets color bar
Max Quantity of Print Heads	12 channels 1620mm 180个(pcs) 16 channels 240个(pcs)
Printing Precision	1200 DPI
Max printing Speed	4500m ² /h
Ink Type Supported	Reactive, Pigment, Reactive
Whole Line Dimension(LxWxH)	38000 x 7000 x 4700mm



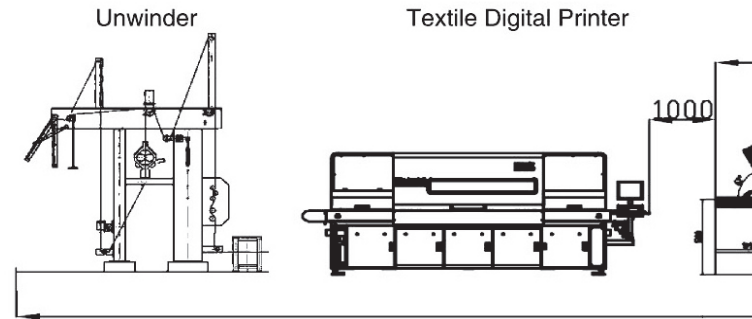
All in one machine, Color bar pull out, Easy maintenance, Paper print/fabric print



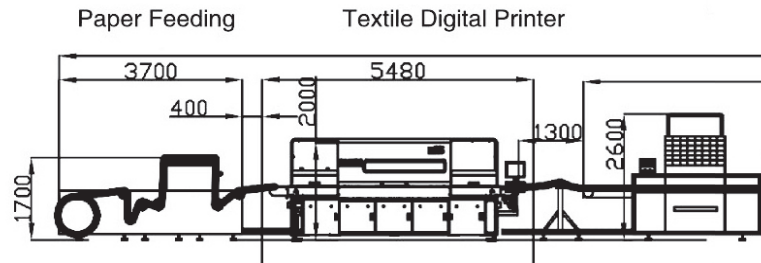
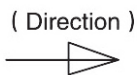
Single Pass

Single Pass Production Line (Reference Solution)

Fabric Printing Section

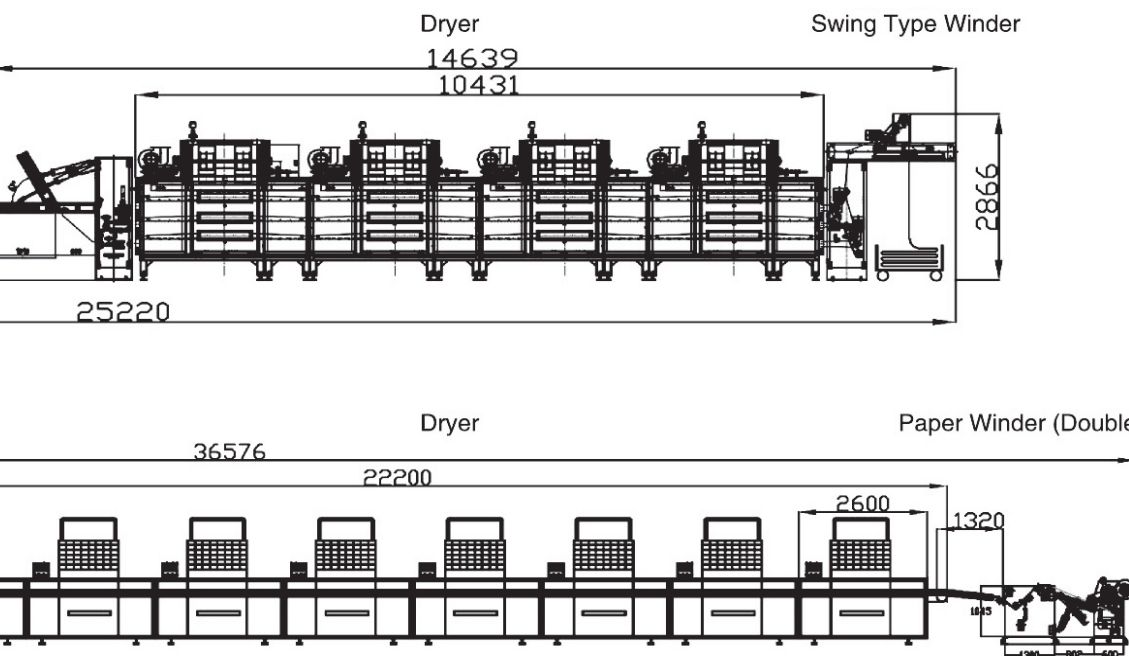


Paper Printing Section



Technical Parameters:

Model	SP-1800
Print Head Model	Dimatix SG1024, Dimatix 600C, Kyocera KJ4B
Physical Resolution	Dimatix SG1024 : 400 dpi, Dimatix 600C : 400 dpi, Kyocera KJ4B : 600 dpi
Printing Width	1800mm
Number of colorbars	Maximum 8 Color Bars
Max Printing Speed	Dimatix: 50m/min, Kyocera 70m/min
Ink Type Supported	Reactive, Acid, Disperse Inks, Pigment Ink
Fabric Type Supported	Sublimation Paper, Cotton, National Fiver, Artificial Fiver, Nylon,, Polyester etc.
RIP Software	Neo Stampa/Photo Print/Tex Print
Power	320V± 10% / >0.5MPa
Dimention	5480 x 3250 x 2000mm
Working Conditations	Temperature: 25-30°C, Humidity: 60%-80%
Weight	5000KG





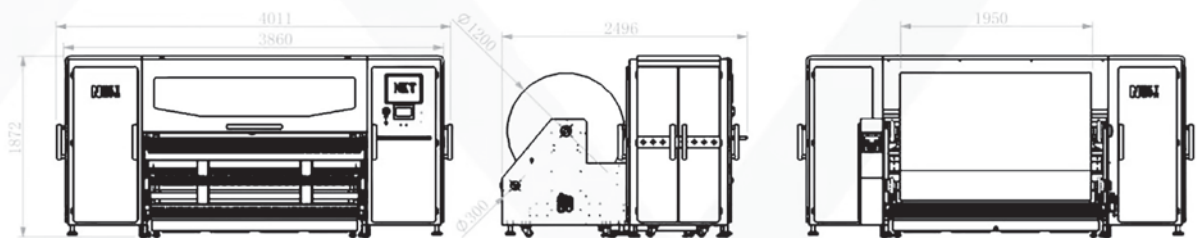
FP 19A

NKT Industrial Digital Sublimation Printer

Technical Parameters:

Model	FP-19A
Max. Printing Width	1900mm/2200mm or Customized
Number of Color Bars	4-8 Color
Power	15 KW
Dimension (LxWxH)	4011 x 1872 x 2496 mm
Weight	1300 KG

Model	Pass	Printing Production (m ² /h)	Model	Pass	Printing Production (m ² /h)	Model	Pass	Printing Production (m ² /h)
FP19A	1	630	FP19A	1	500	FP19A	1	580
8 heads	2	300	16 heads	2	250	8 heads	2	290
FP19A	1	1260	FP19A	1	1000	FP19A	1	1150
16 heads	2	600	24 heads	2	500	16 heads	2	580



Sublimation Printer



2 Head Sublimation Machine



4 Head Sublimation Machine



8/16 Head Sublimation Machine



8 Head Sublimation Machine



Technical Specifications:

Brand	Y-jet
Print Head Model	i3200
Number of Head	4 Head, 8 Head, 16 Head, 24 Head
Print Resolution	720*1200dpi, 720*1000dpi
Ink Type	CMYK (Water-Based, water-based ink, dye sublimation ink)
Ink Tank Volume	1500ml each
Media Width	1820mm
Media Type	Sublimation Paper, Photo Paper
Maximum Media Size	1000m
Operating System	Windows XP/Windows 7
Environmental Condition	Temperature: 18° - 24° C Humidity: 35RH-65RH
RIP Software	Maintop, Photoprint, Wasatch
Dimensions: (L*W*H)	3106x 924x 1620mm
Power	AC 220V, 50/60Hz
Weight	Four Head- 580 KG, Eight Head- 610 KG

Printing Speed:

		4 Head		8 Head	
		1 Pass	300 m ² /h	1 Pass	330 m ² /h
		2 Pass	150 m ² /h	2 Pass	170 m ² /h
		4 Pass	80 m ² /h		
2 Head		16 Head		24 Head	
2 Pass	60 m ² /h	1 Pass	560 m ² /h	2 Pass	960 m ² /h
3 Pass	40 m ² /h	2 Pass	300 m ² /h	3 Pass	640 m ² /h
4 Pass	30 m ² /h			4 Pass	480 m ² /h

Technical Specifications:

Model	HT-18420
Heating Media	Oil, 100% Full
Voltage	3 Phase, 240V/380V
Power	28, 45 & 65 KW
Number Of Heating Elements	21 or 24
Diameter of Drum	420mm/600mm/800mm/1000mm/1200mm
Speed	120-230m/h, 200-380m/h, 450m/h, 800m/h, 1000m/h
Max Temp	260°C
Transfer Width	1800, 1900, 2000 mm
Felt Width	1750, 1850, 1950 mm
Process Part	Deeding In Through Top Drum
Function of Roll To Roll	Yes
Function of Piece By Piece	Yes
Number of Feeding Rollers	3
Number of Collecting Rollers	3
Work Table	Glass Table
Transfer Pressure Bar	Without Including
Machine Weight	1850, 2600, 3650 KG

Roll to Roll Heat Press Machine



Ink

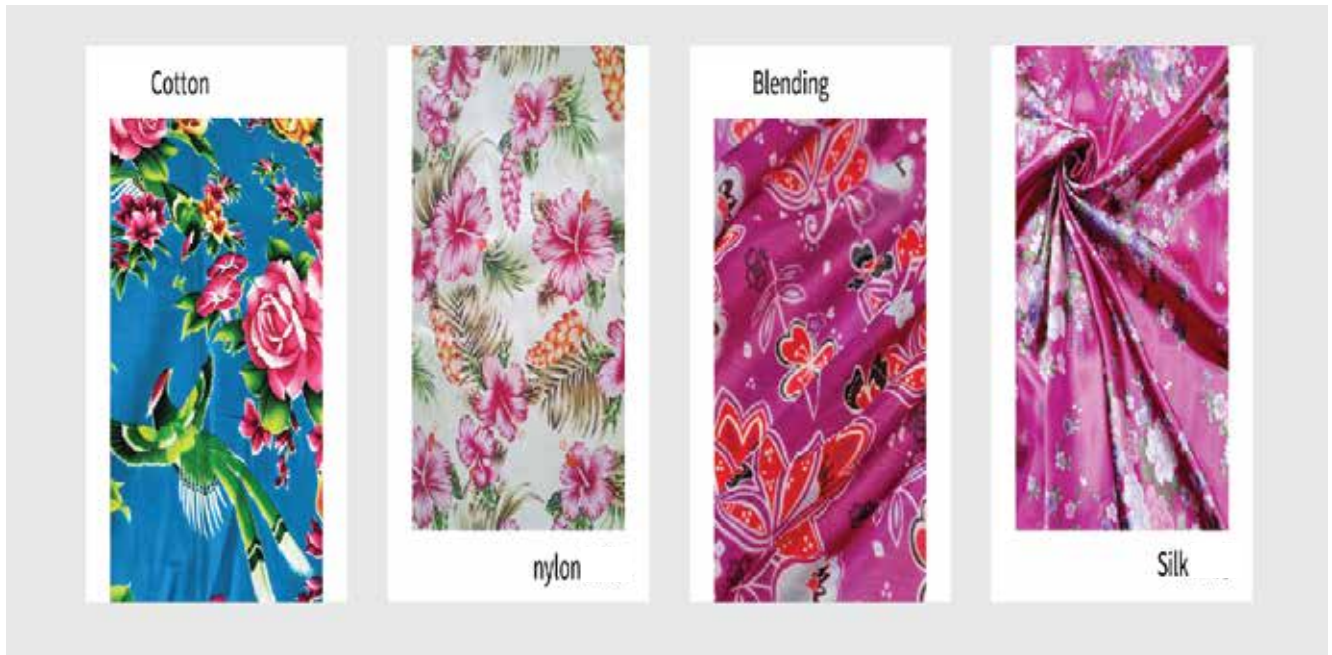
Print Media

	Pigment	Reactive	Acidic	Disperse
Nylon	○	○	●	○
Chemical Fiber	○	○		○
Polyester	○			●
Silk	○	○	●	
Cotton	●	●		
Polyester Fiber	●			●
Artificial Cotton	●	●		
Flax	●	●	●	
Wool	○	○	●	

Ink Colour

Reactive	C	M	Y	K	B	R	LM	LC	O	MB	GR		
Disperse	C	M	Y	K	B	R	LM	LC	LK	O			
Pigment	C	M	Y	K	B	R	LM	LC	LK	G			
Acidic	C	M	Y	K	B	R	LM	LC	LK	O	MB	FY	FM

Applicable Material





FHG-D1800-J1

Technical Parameters:

Model	FHG-D1800-J1
Ink Type Supported	Reactive/Acidic/Disperse /Pigment
Printing Width	1800mm /Customized
Max Temperature	140°C
Heat Source	Electric
Power Supply	28KW
Drying Speed	600m/H
Overall Dimension	3300mm x 2100mm x 1500mm



FHG-D1800-SD, FHG-D1801-SD-J1

Technical Parameters:

Model	FHG-D1800-SD
Ink Type Supported	Reactive/Acidic/Disperse/Pigment
Printing Width	1800mm /Customized
Max Temperature	150°C
Heat Source	Electric
Power Supply	32KW
Drying Speed	436 m/H
Overall Dimension	2570mm x 2250mm x 1750mm



JHY-D1800-SD

Technical Parameters:

Model	FHG-D1800-SD-J1
Ink Type Supported	Reactive/Acidic/Disperse/Pigment
Printing Width	1800mm /Customized
Max Temperature	150°C
Heat Source	Electric/Steam
Power Supply	40.5KW
Drying Speed	600 m/H
Overall Dimension	3570mm x 2250mm x 1750mm



Centering Device

Technical Parameters:

Model	JHY-D1800-SD-J2
Ink Type Supported	Reactive/Acidic/Disperse
Printing Width	1800mm
Max Temperature	160°C
Heat Source	Electric/Steam
Power Supply	75KW
Drying Speed	600m/H
Overall Dimension	5700mm x 2100mm x 2800mm

Winder & Unwinder Unit:



Unwinder
FFJ-A1800



Winder
FSJ-S1800



Automatic Deviation Rectifier Unit
RSHZL-V-180



Winder unit (siamesed type)
FSB-B1800

Accessories:



Kyocera (single/dual color)



Peristaltic pump
204K/BT-JBT-B



Filter
DIPMFN-P-INKPP0500C
(5 μm)



SEPRELEF-AG2
Degassing film
(DIC) EF-AG2 60mL



Thread Elbow



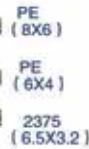
Acrylic ink box



12L ink tank



SMC
(6X4)



PE
(8X6)

PE
(6X4)

2375
(6.5X3.2)



Cleaning Tissue



Wiper



Sensor



Sensor

Ink & Chemical:



Reactive Ink



Belt Glue



Pre-Coating



Company Profile

Foshan Sanshui Yingjie Precision Machinery Co.,Ltd(New King Time) was founded in 1993, located in Foshan Sanshui, which is the most famous manufacturing city in China. Since 2000, NKT started the manufacturing plant of machinery, it was developed into a professional company to provide the customers with comprehensive service from R&D, manufacturing, technical consultancy and after sale service. As the first-class suppliers of digital printing machine and technology in domestic, we have been focusing on the equipment for glaze application and printing more than 30 years, facing the revolution in the printing technology from Screen Printer to Roto color until Digital Printer.

◆ Main business and scale

NKT occupied a land up to 50000m², nearly 300 employees, among them, more than 60% are technical engineers. We focus on the three major fields as our core business, which have the rustic tile equipment, digital printing machines and industrial robot projects. We are proud of the fact that we have been known as "Specialist of rustic tile equipment" by occupying 80% market share in the domestic market, as well as the industry leader of ceramic digital printer. Besides the ceramic Inkjet Printer, we have successfully entered the new field of digital printing applications, such as textiles, glass and so on.

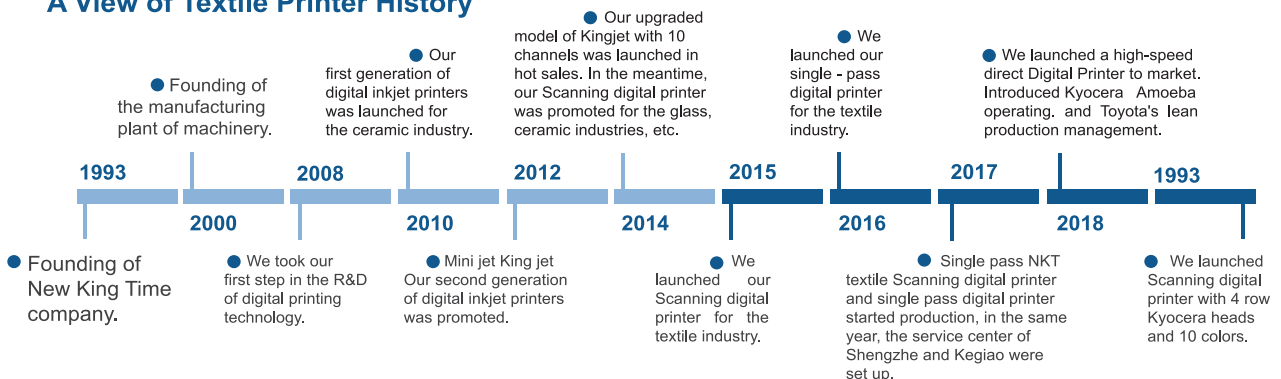
◆ Management ideas & system

We always insist on the concept "pursue the top quality, provide the best service and keep advance!" We have updated our production by introducing ISO9001:2000 international quality control system, ERP system, CE certification, Kyocera Amoeba operating, and Toyota lean production management, to make the quality of our products in the top level.

◆ Vision

Never say the best, let us only say better and even better. We will focus on the value-adding demands from our customers and do our utmost to meet their requirements by introducing up-to-date products with good quality and service continuously

A View of Textile Printer History



A View of Textile Printer History



2000
 NKT Established the
 Manufacturing Plant



2017
 Single Pass
 Textile Digital Printer



2019
 Textile Digital Printer



2022
 F818
 Textile Digital Printer



2022
 FP19A
 Textile Digital Printer (Paper)



2015
 Entered Textile Industry



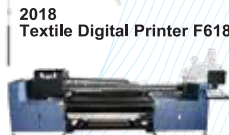
2018
 Textile Scanning Machine (Paper)



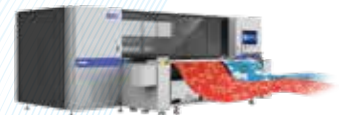
2020
 Textile Digital Printer F618



2023
 Single Pass for Fabric
 (F4x4-1836/F4x4-1800/F4x4-1820)



2018
 Textile Digital Printer F618



2024
 Textile Digital Printer F826

01. Over 15 years accumulation of Single Pass digital Printing equipment manufacturing technology.
02. The print head and system are perfectly matched to provide stable and beautiful printing.
03. Adhere to the core concept of customer-centric, Make the products research and development technology improvement, so as to meet the needs of the market, to maintain a strong competitiveness.

04. Service team with 30 years rich experience and strong technical strength.
05. Complete market and service institutions in major domestic markets and abroad such as India, Pakistan, Bangladesh, Vietnam and Iran etc.
06. With continuous investment in R&D and advanced management concept training, to ensure project sustainable development well.



HASAN TRADE
 Digital Machinery Solutions

📍 **Corporate Office:**
 Israt Tower, 3rd Floor
 6- Purana Paltan, Dhaka-1000
 Mobile: +88 01324 - 734672
 E-mail: info@hasantrade.com
 Web: www.hasantrade.com
 Facebook: www.fb.com/hasantrade1993